

## MAST TRANSPORTABLE 10 M

### ➤ FEATURES AT A GLANCE



- **Lightweight**
- **Transportable**
- **Compact**
- **Rapid deployment**

The CODAN™ 10 m Transportable Mast is designed for tactical use where rapid deployment and ease of transportation is important. The mast is fully compatible with the Codan 125 W Tactical 411 Broadband antenna and can also be used with the Codan portable Manpack (25 W) antennas.

### LIGHTWEIGHT

The high tensile aluminum tubing and rope guy sets provides a lightweight but robust support for tactical antenna deployments. All metal parts, including the mast tube sections are blackened to reduce visual detection.

### TRANSPORTABLE

The mast components are packaged in a durable canvas carry bag for storage and transportation. With a overall weight of approximately 15 kg and packed length of 1.3 m, the mast can be easily accommodated by mechanized transportation.

### RAPID DEPLOYMENT

Deployment of the 10 m mast is a simple task of securing the guy anchor stakes and the mast base and then fitting the guys sets at the mid and upper level mast sections. The mast can then be erected and the guy ropes secured using the quick release tensioning shuttles. A rope halyard and pulley is provided for raising and lowering antennas.



# MAST TRANSPORTABLE 10 M

## COMPATIBLE CODAN ANTENNAS

### 25 W Tactical Antennas (Manpack)

- 15-00454 Long Wire
- 15-00458 End-fed Broadband
- 15-00456 Broadband Dipole
- 15-00455 Wire Dipole
- 15-00457 Dipole and Broadband Kit

### 125 W Tactical Antennas

- 78-01259 TAC 411 Broadband

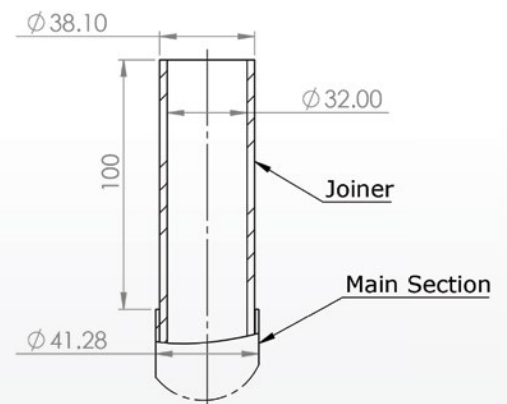
## SPECIFICATIONS

### Package contents

1 x base assembly  
8 x mast sections  
1 x lower guy set, marked with yellow dots on the winders  
1 x upper guy set, marked with red dots on the winders  
1 x halyard  
4 x baseplate anchor pegs  
4 x guy anchor pegs  
1 x canvas bag

<b>Installed height</b>	10 m
<b>Guy radius</b>	5 m
<b>Mast weight</b>	14.25 kg
<b>Packed weight</b>	15.5 kg
<b>Packed length</b>	1300 mm
<b>Maximum head load</b>	12 kg
<b>Maximum wind speed</b>	110 km/hr, no ice, subject to anchoring method and erected as per installation instructions
<b>Low temperature (operational)</b>	-30°C
<b>High temperature (operational)</b>	+60°C
<b>Mast material</b>	Blackened high tensile aluminium
<b>Guy material</b>	4 mm polyester fibre

Mast Top Section Detail



CODAN™ is a trademarks of Codan Limited. Other brand, product and company names mentioned in this document are trademarks or registered trademarks of their respective holders.

Values noted are typical. Equipment descriptions and specifications subject to change without notice or obligation.



[www.codanradio.com](http://www.codanradio.com)

## CODAN RADIO COMMUNICATIONS

12-20291-EN Issue 2 4/2014

**Australia:** +61 8 8305 0528    ▪    **US:** +1 585 419 9970    ▪    **UK:** +44 1252 717 272  
**Canada:** +1 250 382 8268    ▪    **Dubai:** +971 44 53 72 01    ▪    [sales@codanradio.com](mailto:sales@codanradio.com)